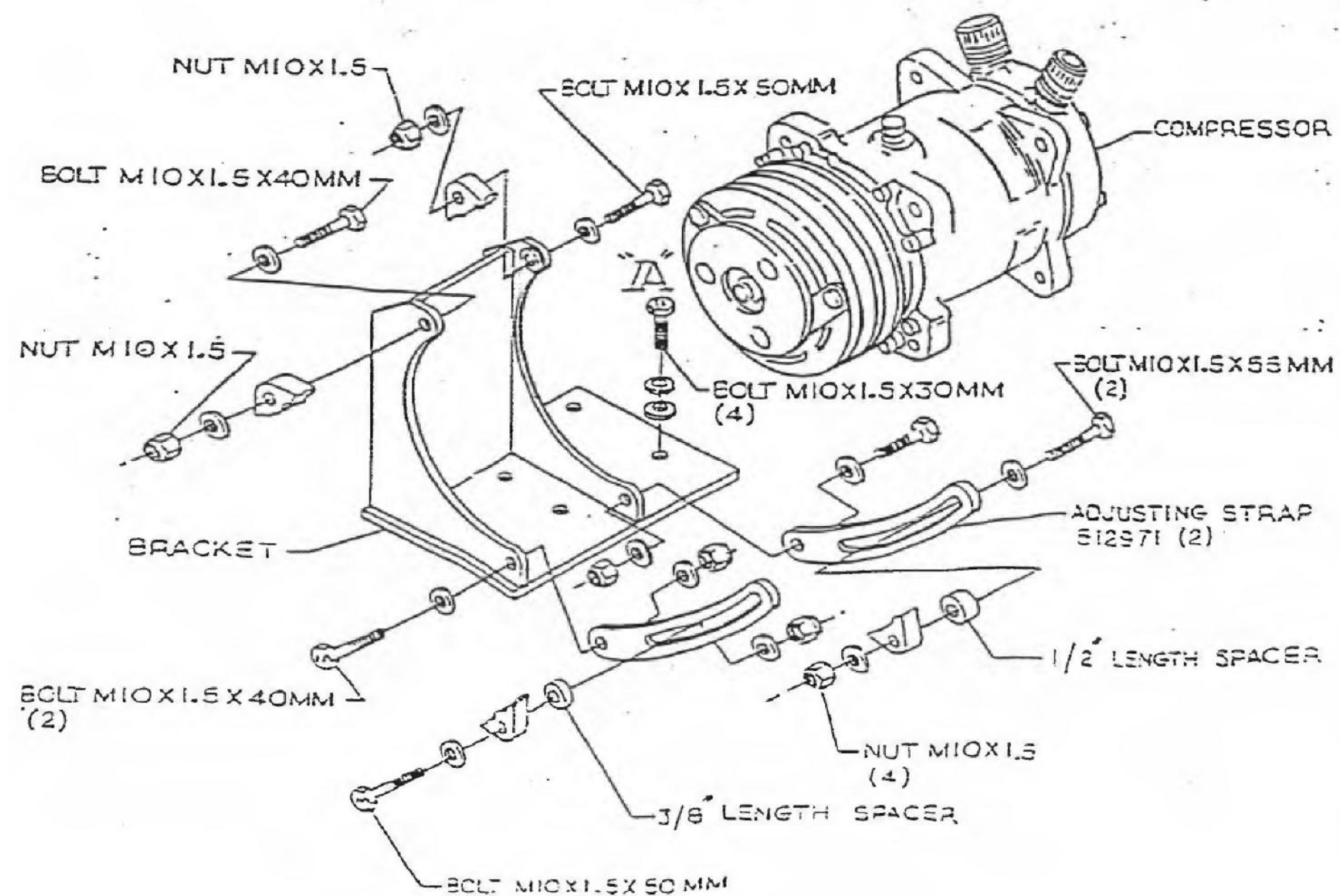
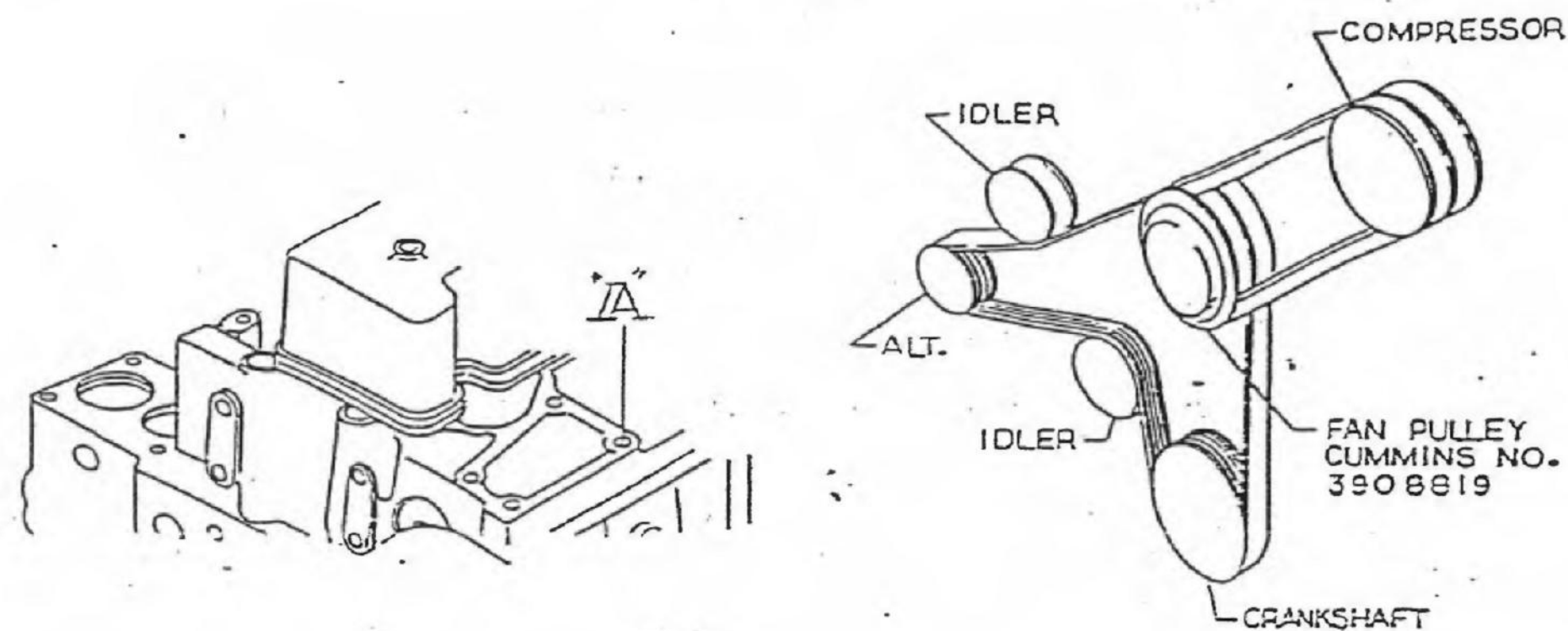


INSTALLATION INSTRUCTIONS

5152 CUMMINS 6C/6CT/6CTA 8.3L 6ISC



12-11-92

PACKING LIST

1 5152-1 Compressor Mount	4 M10 x 1.50 x 30 Bolts
2 5137-2 Adjusting Arms	3 M10 x 1.50 x 40 Bolts
1 3/8" Idler Spacer	2 M10 x 1.50 x 50 Bolts
1 1/2" Idler Spacer	1 M10 x 1.50 x 55 Bolt
1 17470 Belt	6 M10 x 1.50 Lock Nuts
	16 M10 Flat Washers
	4 M10 Lock Washers

INSTALLATION INSTRUCTIONS

The refrigerant compressor and clutch assembly mounts to the upper left front (driver's side) of the engine.

1. Attach compressor mounting bracket, 5137-1, to the top left front corner of engine, as shown, using (4) M10 x 1.50 x 30 bolts, M10 flat washers, M10 flat washers.
2. Loosely attach adjusting arms, 5137-2, to bracket, 5137-1, as shown, using (2) M10 x 1.50 x 40 bolt, M10 x 1.50 lock nuts and (4) M10 flat washers.
3. Loosely attach compressor to bracket, 5137-1, as shown, using (1) M10 x 1.50 x 40 bolt, M10 x 1.50 x 50 bolt (2) M10 x 1.50 lock nuts and (4) M10 flat washers.
4. Loosely attach compressor to adjusting arms, as shown, using (1) M10 x 1.50 x 50 bolt, M10 x 1.50 x 55 bolt, 3/8" idler spacer, 1/2" idler spacer, (2) M10 x 1.50 lock nuts and (4) M10 flat washers.
5. Install drive belt around fan pulley and front groove on compressor as shown. Adjust belt for proper tension and tighten all mounting hardware securely.

NOTE: If engine is not equipped with add on fan pulley, pulley can be purchased from Cummins under part no. 3908819.

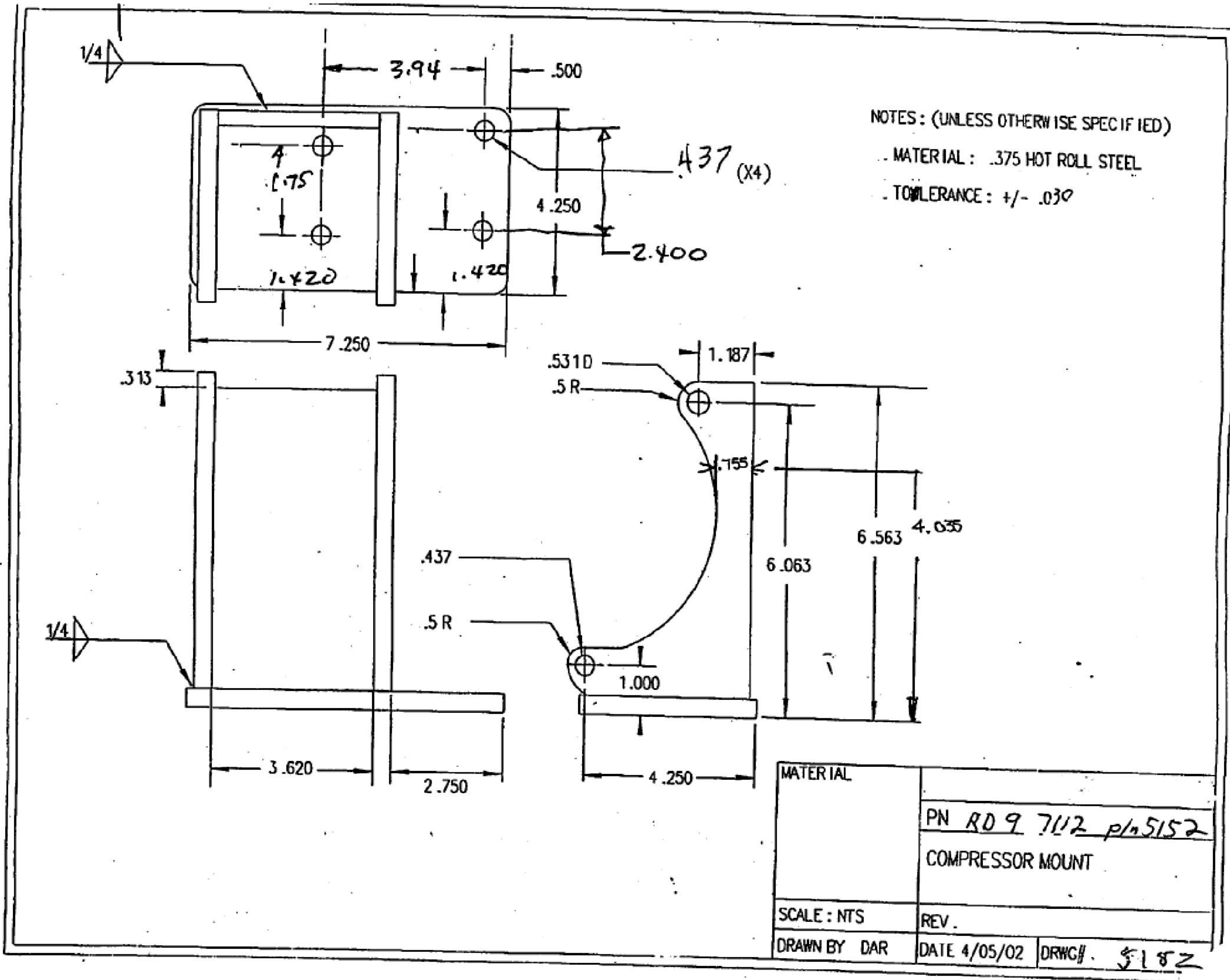
CAUTION: BEFORE RELEASING VEHICLE TO CUSTOMER-Check all radiator hoses, heater hoses and oil lines to be sure there is proper clearance of compressor, compressor mount and compressor clutch.

 VENDOR: COMPONENT PARTS P/N: RD-9-7112

NOTE:

ITEM	PART NO.		DESCRIPTION	MAT'L	FINISH
0					
XI - 7-26-04 CSW	DWN	A. WATERS 3-27-14	KIT - MOUNT-CUMMINS 8.3 LITRE MODELS 6C, 6CT & 6CTA		
	CKD	A. OLSEN 3-31-14			
	SCALE: DRAWING SCALE				
RED DOT CORPORATION 495 Andover Park East Seattle, WA 98188			NEXT ASSY CUSTOMER	DWG. NUMBER RD-9-7112	SIZE C
			THIS PRINT IS PROPRIETARY INFORMATION LOANED SUBJECT TO RETURN UPON DEMAND AND IS NOT TO BE USED DIRECTLY OR INDIRECTLY IN ANY WAY DETRIMENTAL TO RED DOT CORPORATION		SHEET 1 of 2

LTR	DATE	BY	CHK'D	PROVE	PROD	REVISION
--	MM/DD/YY			OUT	APPR	
--	3-31-14	AJW	ALO	--	JGV	SEE SHEET 1 FOR REVISIONS



ITEM	PART NO.	DESCRIPTION	MAT'L	FINISH
-0				
DWN	A. WATERS 3-27-14	KIT - MOUNT-CUMMINS 8.3 LITRE MODELS 6C, 6CT & 6CTA		
CKD	A. OLSEN 3-31-14			
SCALE: DRAWING SCALE				
RED DOT CORPORATION 495 Andover Park East Seattle, WA 98188		NEXT ASSY CUSTOMER	DWG. NUMBER RD-9-7112	SIZE C
		THIS PRINT IS PROPRIETARY INFORMATION LOANED SUBJECT TO RETURN UPON DEMAND AND IS NOT TO BE USED DIRECTLY OR INDIRECTLY IN ANY WAY DETRIMENTAL TO RED DOT CORPORATION		SHEET 2 of 2